

Low Frequency Audio Oscillator For Sub Tone CTCSS Operation.

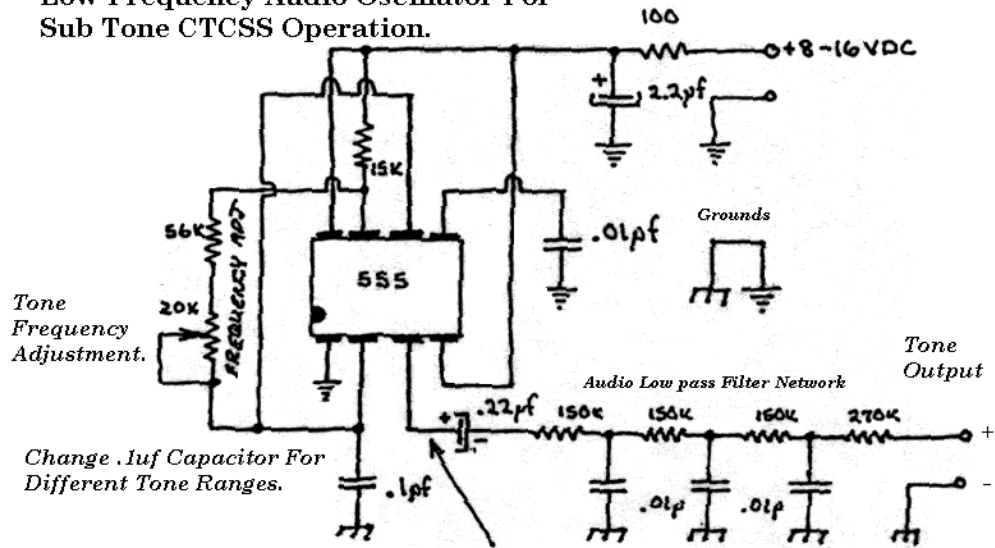
Tone Frequency Adjustment.

Change .1uf Capacitor For Different Tone Ranges.

Connect Here To Drive DC Pulse Circuits.

Audio Low pass Filter Network

Tone Output



555 Internal View

Change 270K Resistor For Level Adjustment, Or Replace with 250K Pot. Take Output (Adjustable) From Pot Wiper (Center).

www.radiowrench.com/sonic
(Skip) nospam4me@juno.com

